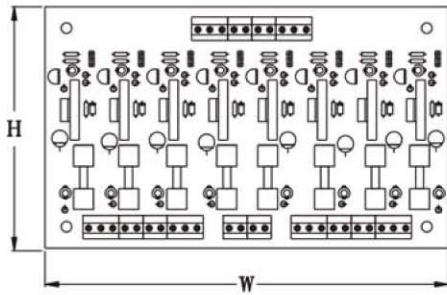
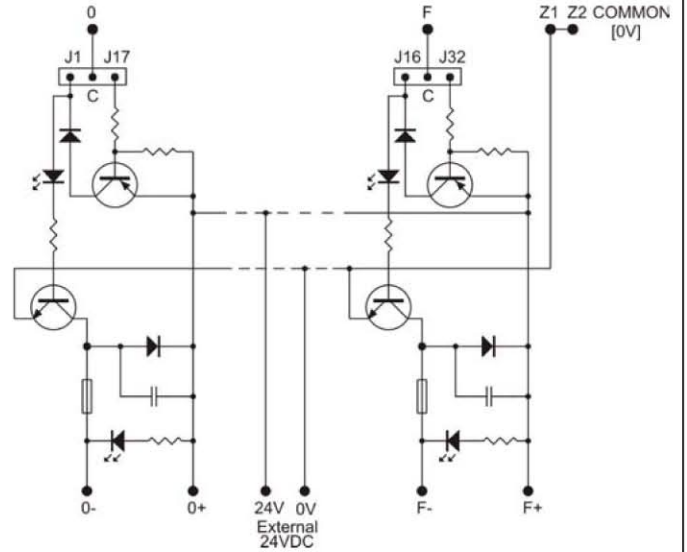
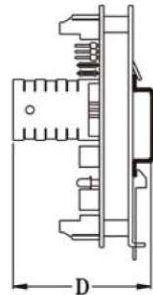


SOLID STATE INTERFACE MODULE WITH OUTPUT : 24V, 2A (SOLENOID DRIVER)



Dimensions



Select jumpers J1 to J16 for Active high input
Select jumpers J17 to J32 for Active low input

Schematic

FEATURES	<ul style="list-style-type: none"> Electrical life is 100 times that of electromechanical relay Low input Current Negligible switching delay Active High / Low input selection through jumpers Fuse at output for over current protection 					
NO. OF CHANNELS	4, 8					
INPUT	NOMINAL INPUT VOLTAGE	12VDC		24VDC		
	MUST - ON VOLTAGE	10.8VDC		21.6VDC		
	MUST - OFF VOLTAGE	3.3VDC		7.5VDC		
	MAX. INPUT VOLTAGE	13.2VDC		26.4VDC		
	INPUT CURRENT PER CHANNEL⁽¹⁾	15mA				
	MAX. OPERATING FREQUENCY	10KHz				
OUTPUT	RATING	24VDC, 2A				
	OFF STATE LEAKAGE CURRENT	< 20µA				
OPERATING AMBIENT	0~55°C, 85% RH					
STORAGE AMBIENT	-20°C to 85°C					
TERMINATIONS	INPUT SIDE	Screw type, for 2.5mm sq. wire				
	OUTPUT SIDE	Screw type, for 2.5mm sq. wire				
MOUNTING	35 mm DIN rail					
ORDERING INFORMATION	AS545 - 24V - 24V					
	NO. OF CHANNELS	DESIGN NO.	INPUT VOLTAGE	OUTPUT VOLTAGE	DIMENSIONS W x H x D (mm)	WEIGHT (MAX)
	4	AS543	12V : 12VDC 24V : 24VDC	24VDC, 2A	85 x 95 x 70	190 grams
	8	AS545			150 x 95 x 70	340 grams

Note : 1. Current including LED current.