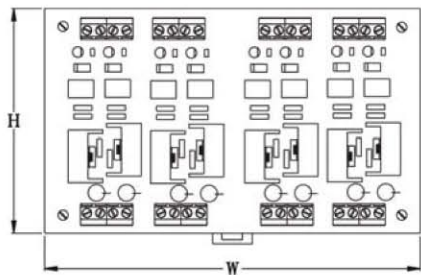
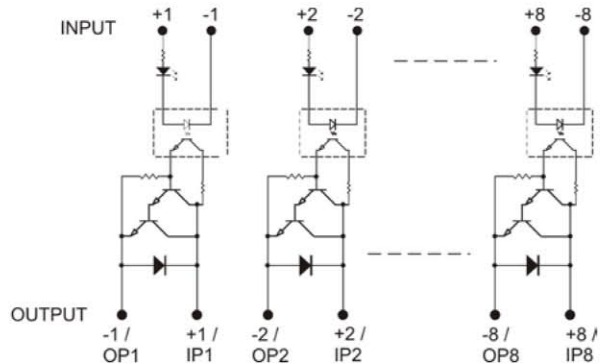
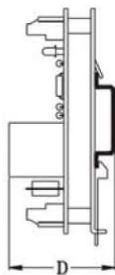


SOLID STATE INTERFACE MODULE WITH OUTPUT : 24V, 2A

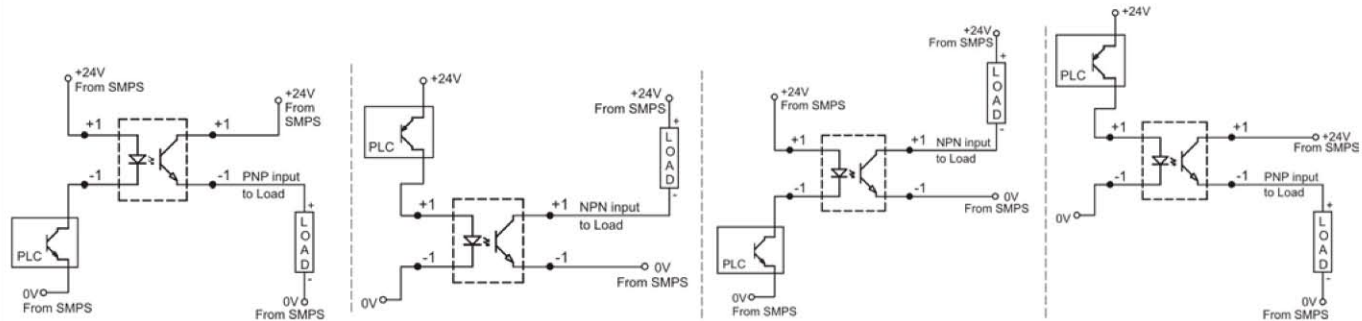


Dimensions



Schematic

Typical Connections :



NPN to PNP

PNP to NPN

NPN to NPN

PNP to PNP

FEATURES	<ul style="list-style-type: none"> Optical Isolation between Input & Output Low Input Current 		<ul style="list-style-type: none"> Negligible switching delay Can be used as NPN to PNP Converter or vice versa 			
NO. OF CHANNELS	4, 8					
INPUT	NOMINAL INPUT VOLTAGE	24VDC				
	MUST - ON VOLTAGE	21.6VDC				
	MUST - OFF VOLTAGE	7.5VDC				
	MAX. INPUT VOLTAGE	26.4VDC				
	INPUT CURRENT PER CHANNEL ⁽¹⁾	< 15mA				
OUTPUT	RATING	24VDC, 2A				
	OFF STATE LEAKAGE CURRENT	< 20µA				
DIELECTRIC STRENGTH	1. Inputs - channel to channel (when isolated) : 100VAC, 50/60 Hz for 1 minute 2. Input to Output : Optical - 500VAC, 50/60 Hz for 1 minute 3. Outputs - channel to channel (when isolated) : 100VAC, 50/60 Hz for 1 minute					
OPERATING AMBIENT	0~55°C, 85% RH					
STORAGE AMBIENT	-20°C to 85°C					
TERMINATIONS	INPUT SIDE	Screw type, for 2.5mm sq. wire				
	OUTPUT SIDE	Screw type, for 2.5mm sq. wire				
MOUNTING	35 mm DIN rail					
ORDERING INFORMATION	<div style="border: 1px solid black; padding: 5px; display: inline-block;">AS226</div> 					
	NO. OF CHANNELS	DESIGN NO.	INPUT VOLTAGE	OUTPUT VOLTAGE	DIMENSIONS W x H x D (mm)	WEIGHT (MAX)
	4	AS266	24V : 24VDC	24VDC, 2A	85 x 95 x 70	260 grams
8	AS226	150 x 95 x 70			500 grams	

Note : 1. Current including LED current.