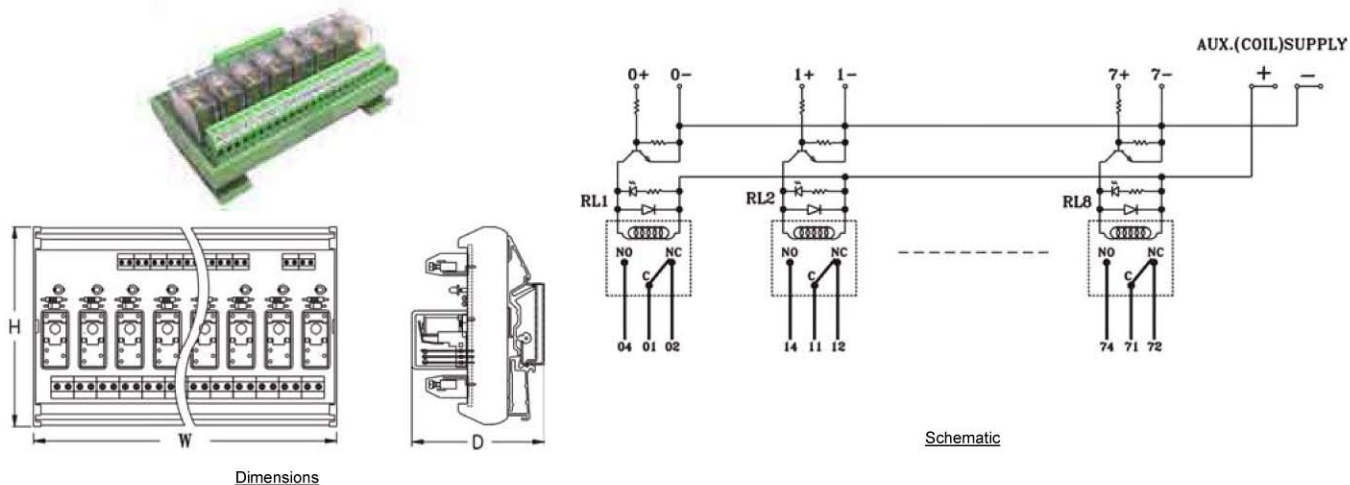


1C/O Relay Module With TTL / Low current input



Dimensions

Schematic

FEATURES	<ul style="list-style-type: none"> LED & Free wheeling diode across coil Low current control input 					
CONTACT CONFIGURATION	1C/O					
NO. OF CHANNELS	8					
INPUT TYPE	PNP / SOURCING ⁽²⁾					
INPUT	NOMINAL INPUT (TTL) VOLTAGE	5VDC	24VDC			
	MUST OPERATE VOLTAGE	1.9VDC	9VDC			
	MUST RELEASE VOLTAGE	1VDC	5VDC			
	MAX. INPUT VOLTAGE	10VDC	30VDC			
	INPUT CURRENT PER CHANNEL	1mA	5mA			
RELAY	OPERATE (SET) TIME	15ms max.				
	RELEASE (RESET) TIME	20ms max.				
	ENDURANCE	Mechanical : 20,000,000 operations min. (at 1,800 operations/hr) Electrical : 100,000 operations min. (at 1,800 operations/hr under rated load)				
	MAX. OPERATING FREQUENCY	Mechanical : 18,000 operations/hr Electrical : 1,800 operations/hr				
AUX. (COIL) VOLTAGE	12VDC / 24VDC +/-10% (50mA / 25mA per channel) ^{(1) (2)}					
DIELECTRIC STRENGTH	1. TTL input to contacts : 1.5KVAC , 50/60 Hz for 1 minute 2. Coil to contact : 1.5KVAC , 50/60 Hz for 1 minute 3. Contacts of different polarity : 1KVAC , 50/60 Hz for 1 minute 4. Contacts of same polarity : 1KVAC , 50/60 Hz for 1 minute 5. Contacts - channel to channel : 1.5KVC , 50/60 Hz for 1 minute					
CONTACT RATING	RELAY	10A@28VDC/230VAC				
	ON BOARD	5A@28VDC/230VAC				
OPERATING AMBIENT	0~55°C, 85% RH					
STORAGE AMBIENT	-20°C to 85°C					
TERMINATIONS	COIL SIDE	Screw type, for 2.5mm sq. wire				
	CONTACT SIDE	Screw type, for 2.5mm sq. wire				
MOUNTING	35 mm DIN rail					
ORDERING INFORMATION	AS254 - 5V - 24V - OM					
	NO. OF RELAYS	DESIGN NO.	TTL INPUT	RELAY COIL VOLTAGE	RELAY MAKE	DIMENSIONS W x H x D (mm)
8	AS254	5V : 5VDC 24V : 24VDC	12V : 12VDC 24V : 24VDC	OM : OMRON G2R : OEN 58DP	137 x 80 x 70	340 grams

Note : 1. Current including LED current.

2. CAUTION : Input common (0V) & Aux. -Ve (0V) are shorted internally.