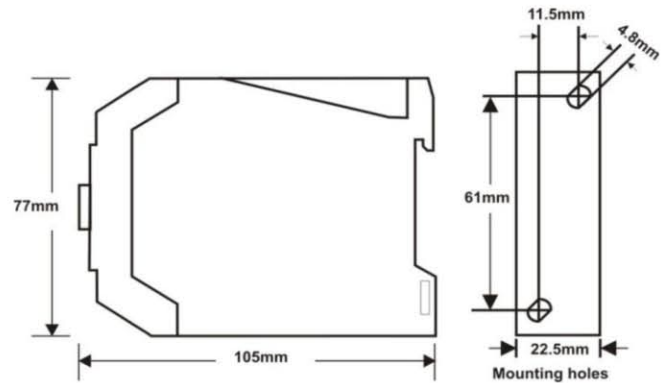


ANALOG TIMER : TADU-30H-U

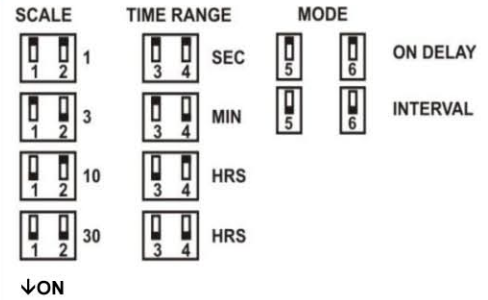


Dimensions

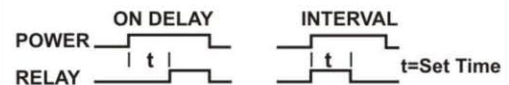
All dimensions in mm

ON Delay / Interval – Long Duration, Universal

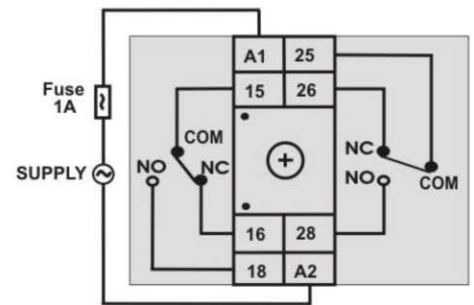
FEATURES	<ul style="list-style-type: none"> ON Delay / Interval 12 time ranges Universal Supply Voltage Low Cost High Reliability Compact DIN Rail / Base Mounting 	TIME RANGES	<table style="width: 100%; border-collapse: collapse;"> <tr> <td style="text-align: center;">SCALE</td> <td style="text-align: center;">TIME RANGE</td> <td style="text-align: center;">MODE</td> <td></td> </tr> <tr> <td style="text-align: center;"> 1 </td> <td style="text-align: center;"> SEC </td> <td style="text-align: center;"> ON DELAY </td> <td></td> </tr> <tr> <td style="text-align: center;"> 3 </td> <td style="text-align: center;"> MIN </td> <td style="text-align: center;"> INTERVAL </td> <td></td> </tr> <tr> <td style="text-align: center;"> 10 </td> <td style="text-align: center;"> HRS </td> <td></td> <td></td> </tr> <tr> <td style="text-align: center;"> 30 </td> <td style="text-align: center;"> HRS </td> <td></td> <td></td> </tr> </table> <p style="text-align: center;">↓ ON</p>	SCALE	TIME RANGE	MODE		1	SEC	ON DELAY		3	MIN	INTERVAL		10	HRS			30	HRS		
		SCALE		TIME RANGE	MODE																		
1	SEC	ON DELAY																					
3	MIN	INTERVAL																					
10	HRS																						
30	HRS																						
		0 – 1 Sec / Min / Hr 0 – 3 Sec / Min / Hr 0 – 10 Sec / Min / Hr 0 – 30 Sec / Min / Hr (switch selectable) (Refer NOTE below)																					
OPERATING MODES	ON Delay / Interval (switch selectable)																						
INDICATIONS	LED Status Indicator : Power ON, Relay ON																						
SUPPLY VOLTAGE	SUPPLY VOLTAGE	20 to 240V AC , 47 – 63Hz or 12 to 240V DC (Refer ordering information below)																					
	POWER CONSUMPTION	2VA Max																					
	INRUSH CURRENT	Max. 5A@240V AC for 20ms, 500mA@12VDC																					
ISOLATION	Supply Terminals – Contacts : 1.5KV, 1min Contact Set1 – Contact Set2 : 1.5KV, 1min																						
OUTPUT SPECIFICATION	OUTPUT CONTACT	DPDT (2 C/O)																					
	CONTACT RATING	5A@230V AC / 24V DC, Resistive																					
ACCURACY	Setting : ± 5% of Full Scale, Repeat : ± 0.5% or 50msec																						
RESET	On interruption of power, Reset timer < 100msec																						
ENDURANCE	POTENTIOMETER	MECHANICAL : 1000 Cycles																					
	RELAY	MECHANICAL : 10,000,000 ops. Minimum (1800 ops./hr.) ELECTRICAL : 100,000 ops. Minimum (1200 ops./hr.)																					
AMBIENT CONDITIONS	OPERATING AMBIENT	0–55°C, 85% RH																					
	STORAGE AMBIENT	-20°C to 85°C																					
	HUMIDITY	95% RH non condensing																					
GENERAL SPECIFICATIONS	TERMINATIONS	Screw type, for 2.5mm sq. wire																					
	MOUNTING	DIN rail / Base Mount																					
	WEIGHT	120 gms																					
	PROTECTION LEVEL	IP40 for housing, IP20 for terminals, Finger Safe Terminals																					
ORDERING INFORMATION	TADU – 30H – U																						
	DESIGN NO.	SUPPLY VOLTAGE																					
	TADU-30H	U : 20 to 240V AC , 47-63Hz or 12 to 240V DC																					



Switch Settings



Timing Diagram



Terminal Connections

NOTE : If the time setting is altered , it will be effective from next cycle.