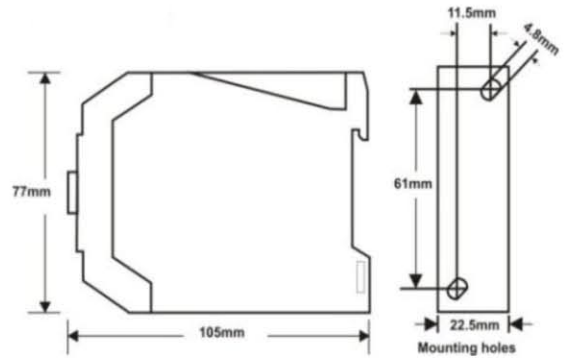


ANALOG TIMER : TAON-30S, TAON-60S

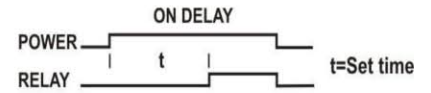


ON Delay - Economy

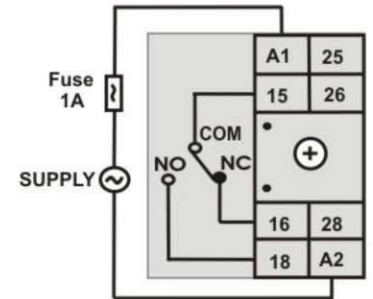
Dimensions

All dimensions in mm

FEATURES	<ul style="list-style-type: none"> • Single Range Single Function • Low Cost • High Reliability • Compact • DIN Rail / Base Mounting 	TIME RANGES
		0 – 30 Sec 0 – 60 Sec (Factory Set) (Refer NOTE below)
OPERATING MODES	ON Delay	
INDICATIONS	LED Status Indicator : Power ON, Relay ON	
SUPPLY VOLTAGE	SUPPLY VOLTAGE	110V / 230V / 415V AC $\pm 15\%$, 47 - 63Hz (Refer ordering information below)
	POWER CONSUMPTION	6VA Max
	INRUSH CURRENT	Maximum 3.2A , 20ms
ISOLATION	Supply Terminals – Contact : 1.5KV, 1min.	
OUTPUT SPECIFICATION	OUTPUT CONTACT	SPDT (1 C/O)
	CONTACT RATING	5A@230V AC, 24V DC, Resistive
ACCURACY	Setting : $\pm 5\%$ of Full Scale, Repeat : $\pm 0.5\%$ or 50msec of Full Scale.	
RESET	On interruption of power, Reset time < 100msec	
ENDURANCE	POTENTIOMETER	MECHANICAL : 1000 Cycles
	RELAY	MECHANICAL : 10,000,000 ops. Minimum (1800 ops./hr.) ELECTRICAL : 100,000 ops. Minimum (1200 ops./hr.)
AMBIENT CONDITIONS	OPERATING AMBIENT	0~55°C, 85% RH
	STORAGE AMBIENT	-20°C to 85°C
	HUMIDITY	95% RH non condensing
GENERAL SPECIFICATIONS	TERMINATIONS	Screw type, for 2.5mm sq. wire
	MOUNTING	DIN rail / Base Mount
	WEIGHT	100 gms
	PROTECTION LEVEL	IP40 for housing, IP20 for terminals, Finger Safe Terminals



Timing Diagram



Terminal Connections

ORDERING INFORMATION	TAON - 30S - 230AC		
	DESIGN NO.	TIME RANGES	SUPPLY VOLTAGE
	TAON-30S TAON-60S	30S: 30 Sec 60S: 60 Sec (Factory Set)	110AC : 110V AC 230AC : 230V AC 415AC : 415V AC

NOTE : If the time setting is altered , it will be effective from next cycle.