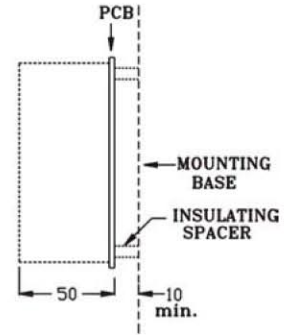
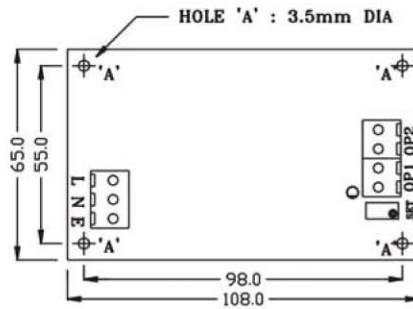


## 25W DUAL OUTPUT OPEN FRAME



All dimensions in mm

<b>FEATURES</b>	<ul style="list-style-type: none"> <li>• Single Phase Input</li> <li>• Built In Transient protector &amp; EMI filter</li> <li>• Low ripple &amp; noise</li> <li>• Cooling by free air convection</li> <li>• Power OK indication &amp; master output voltage set control</li> <li>• 100% full load burn in tested</li> <li>• Low cost</li> <li>• High reliability</li> <li>• Compact</li> </ul>
<b>ISOLATION</b>	Input – Output : 1.5KVAC, 1 minute Input – Earth : 1.5KVAC, 1 minute Output – Earth : 0.5KVAC, 1 minute O/p1 – O/p2 : 0.5KVAC, 1 minute
<b>EFFICIENCY</b>	70 ~ 75%
<b>O/P VOLTAGE ADJUSTMENT</b>	+/- 10% of nominal master output (o/p1) voltage
<b>LINE REGULATION</b>	0.5%
<b>OPERATING AMBIENT</b>	0 ~ 50°C, 95% RH
<b>STORAGE AMBIENT</b>	-20°C to 85°C
<b>MOUNTING</b>	Screw Mounting
<b>WEIGHT</b>	150 grams

ORDERING INFORMATION	NOMINAL INPUT : 230VAC/DC		NOMINAL INPUT : 110VAC/DC		OUTPUT		TOTAL MAX. OUTPUT POWER	OVERVOLTAGE PROTECTION	
	INPUT VOLTAGE	AC : 180 ~ 270V DC : 200 ~ 360V	AC : 90 ~ 130V DC : 100 ~ 160V	RATING <sup>(3)</sup>		VOLTAGE VARIATION <sup>(2)</sup>			
	I/P FREQUENCY	AC : 47 ~ 63Hz	AC : 47 ~ 63Hz						
	I/P CURRENT (max)	AC : 0.3A @230V DC : 0.15A @230V	AC : 0.6A @110V DC : 0.3A @110V						
	INRUSH CURRENT	AC : 32A @230V DC : 23A @230V	AC : 16A @110V DC : 11A @110V						
TERMINATIONS	Screw Type, For 2.5mm sq. wire	CPU Connector <sup>(1)</sup>	Screw Type, For 2.5mm sq. wire	CPU Connector <sup>(1)</sup>					
ORDER CODE	AS469-101	AS469-101C	AS469-151	AS469-151C	1) 5V : 2.5A 2) 12V : 2A <sup>(4)</sup>	0.5% +/- 10%	25W	< 7V	
	AS469-102	AS469-102C	AS469-152	AS469-152C	1) 5V : 2.5A 2) 24V : 1A <sup>(4)</sup>	0.5% +/- 10%		25W	< 7V
	AS469-103	AS469-103C	AS469-153	AS469-153C	1) +15V : 1.5A 2) -15V : 1.5A <sup>(4)</sup>	0.5% 0.5%	25W	< 20V	
	AS469-104	AS469-104C	AS469-154	AS469-154C	1) 12V : 1.5A 2) 12V : 1.5A <sup>(4)</sup>	+/- 10% 0.5%	25W	< 16V	
	AS469-105	AS469-105C	AS469-155	AS469-155C	1) 5V : 2.5A 2) -5V : 2.5A <sup>(4)</sup>	0.5% +/- 10%	25W	< 7V	
	AS469-111	AS469-111C	AS469-161	AS469-161C	1) 5V : 2.5A 2) 12V : 0.2A	0.5% +/- 10%	25W	< 7V	
	AS469-112	AS469-112C	AS469-162	AS469-162C	1) 5V : 2.5A 2) 24V : 0.2A	0.5% +/- 10%	25W	< 7V	
	AS469-113	AS469-113C	AS469-163	AS469-163C	1) +15V : 1.5A 2) -15V : 0.3A	0.5% 0.5%	25W	< 20V	
	AS469-114	AS469-114C	AS469-164	AS469-164C	1) 12V : 1.5A 2) -12V : 0.2A	+/- 10% 0.5%	25W	< 16V	
	AS469-115	AS469-115C	AS469-165	AS469-165C	1) 5V : 2.5A 2) -5V : 0.1A	0.5% +/- 10%	25W	< 7V	

- Note : 1. CPU Connector : Male, 5.08mm pitch, Alex Part No. 8081-N or equivalent.  
 2. Voltage variation specified for following conditions : (i) variation in load from 10% to 100%. (ii) Master output at nominal voltage & its load variation from 10% to 100%.  
 3. Output ratings specified above are absolute maximum ratings provided, total output power should not exceed the maximum specified.  
 4. Unregulated output voltage.  
 5. All parameters measured at nominal input, rated load and 25°C of ambient temperature unless otherwise specified.  
 6. Ripple & noise are measured at 20MHz of bandwidth by using a 12" twisted pair-wire terminated with a 0.1uf & 100uf parallel capacitor.  
 7. The power supply is intended to be installed as a component inside the enclosure of final equipment. The final equipment must be re-confirmed that it still meets the EMC directives.