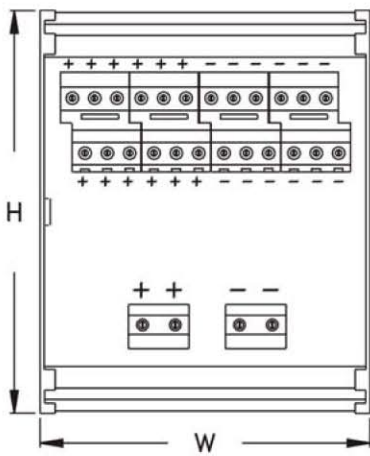
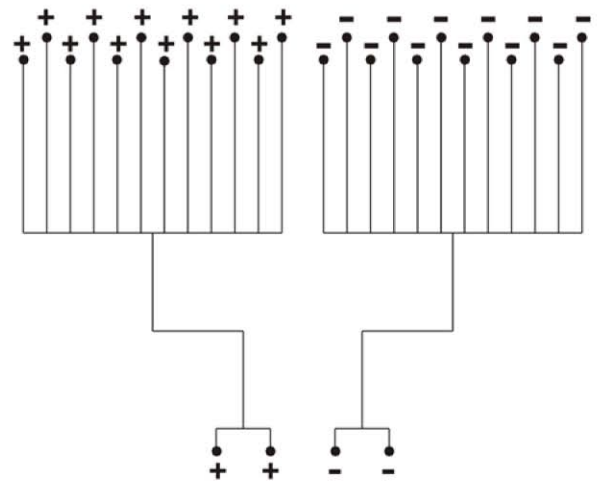
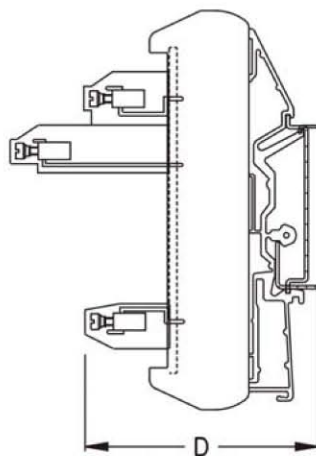


# POWER DISTRIBUTION MODULE



**Dimensions**



**Schematic**

<b>VOLTAGE RATING</b>	100VDC	
<b>CURRENT RATING</b>	<b>INPUT</b>	20A max.
	<b>OUTPUT</b>	5A per channel max.
<b>OPERATING AMBIENT</b>	0~55°C, 85% RH	
<b>STORAGE AMBIENT</b>	-20°C to 85°C	
<b>TERMINATIONS</b>	<b>INPUT SIDE</b>	Screw type, 2 x 2 way terminals for 2.5mm sq. wire
	<b>OUTPUT SIDE</b>	Screw type, 12 x 2 way terminals for 2.5mm sq. wire
<b>MOUNTING</b>	35 mm DIN rail	
<b>DIMENSIONS W x H x D (mm)</b>	70 x 80 x 70	
<b>WEIGHT</b>	130 grams	
<b>ORDER CODE</b>	AS333	