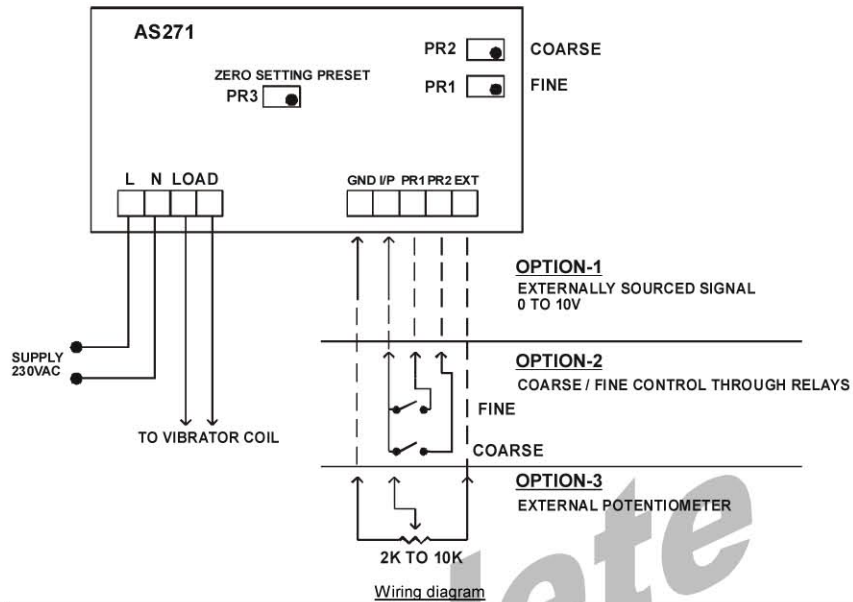


VIBRATOR CONTROL CARD



FEATURES	<ul style="list-style-type: none"> • Presets are provided to set coarse & fine control. • Facility to connect external potentiometer or external 0 to 10VDC.
INPUT	230VAC, 47 ~ 63Hz
OUTPUT	Half wave phase controlled variable DC, 2A max.
OPERATING AMBIENT	0 ~ 55°C, 85% RH
STORAGE AMBIENT	-20°C to 85°C
TERMINATIONS	Screw type, for 2.5mm sq. wire
MOUNTING	35 mm DIN rail
DIMENSIONS W x H x D (mm)	150 x 95 x 70
WEIGHT	250 grams
ORDER CODE	AS271