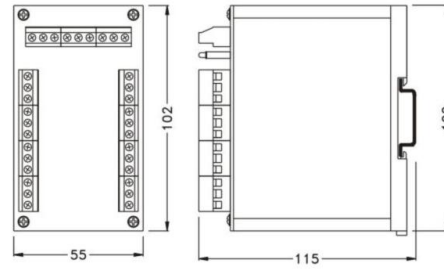
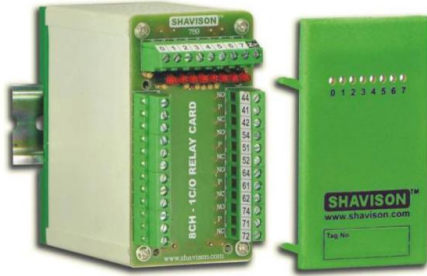
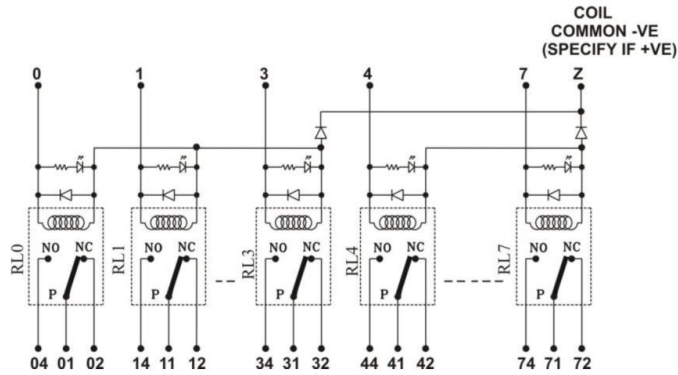


# 1 C/O RELAY INTERFACE MODULES

## 1 C/O 8 Channel Space Saver Module



Dimensions (in mm)

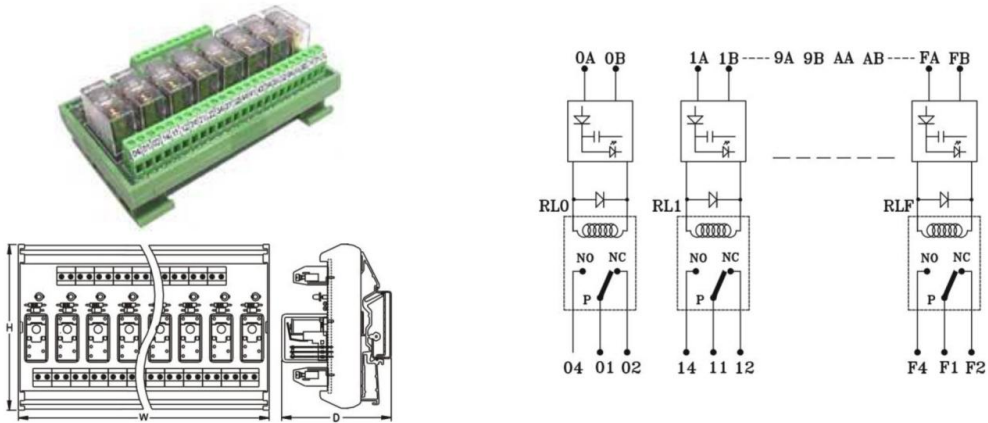


Schematic

FEATURES	LED & Free wheeling diode across coil. Reverse Polarity blocking diode.						
CONTACT CONFIGURATION	1C/O						
NO. OF CHANNELS	8						
RELAY	NOMINAL COIL VOLTAGE	24VDC					
	MUST OPERATE VOLTAGE	19.9VDC					
	MUST RELEASE VOLTAGE	5.5VDC					
	MAX. COIL VOLTAGE	26.4VDC					
	COIL CURRENT PER CHANNEL <sup>(1)</sup>	25mA					
	OPERATE (SET) TIME	15 ms max.					
	RELEASE (RESET) TIME	20 ms max.					
	ENDURANCE	Electrical : 100,000 operations min. (at 1,800 operations/hr)					
MAX. OPERATING FREQUENCY	Mechanical : 18,000 operations/hr Electrical : 1,800 operations/hr						
DIELECTRIC STRENGTH	1. Coil to coil (when isolated) : 100VAC , 50/60 Hz for 1 minute						
	2. Coil to contact : 1.5KVAC , 50/60 Hz for 1 minute						
	3. Contacts of same polarity : 1KVAC , 50/60 Hz for 1 minute						
	4. Contacts - channel to channel : 1.5KVAC , 50/60 Hz for 1 minute						
CONTACT RATING	RELAY	10A@28VDC/230VAC					
	ON BOARD	5A@28VDC/230VAC					
OPERATING AMBIENT	0~55°C, 85% RH						
STORAGE AMBIENT	-20°C to 85°C						
TERMINATIONS	COIL TERMINATION	Screw type, for 2.5mm sq. wire					
	CONTACT TERMINATION	Screw type, for 2.5mm sq. wire					
MOUNTING	35 mm DIN rail						
ORDERING INFORMATION	AS789 - 24V - N - OM						
	NO. OF RELAYS	DESIGN NO.	COIL VOLTAGE	COIL LOOPING	RELAY MAKE	DIMENSIONS W x H x D (mm)	WEIGHT (MAX)
	8	AS789	24V : 24VDC	N : -Ve LOOPING P : +Ve LOOPING	OM : OMRON G2R : OEN 58DP	55 x 115 x 102	400 grams

Note : 1. Current including LED current.

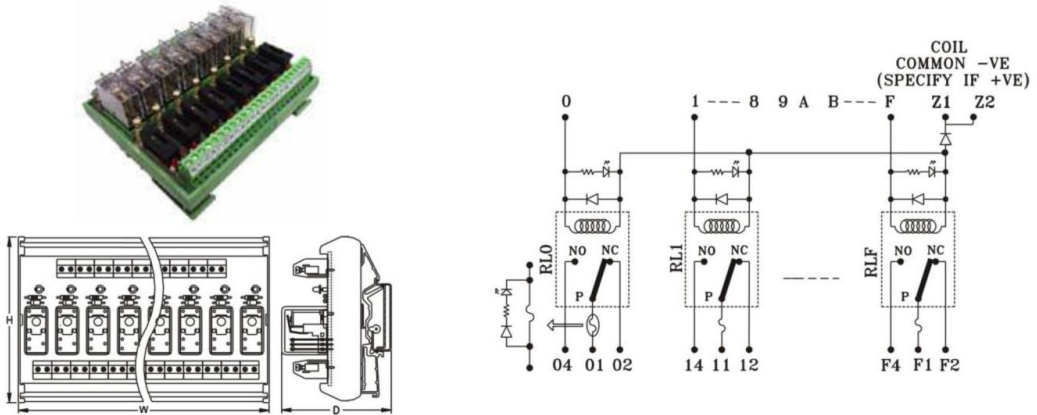
## 1 C/O Modules With 24VAC Isolated coils



<b>FEATURES</b>	LED & Free wheeling diode across coil						
<b>CONTACT CONFIGURATION</b>	1C/O						
<b>NO. OF CHANNELS</b>	1, 2, 4, 6, 8						
<b>RELAY</b>	<b>NOMINAL COIL VOLTAGE<sup>(1)</sup></b>	24VAC					
	<b>MUST OPERATE VOLTAGE</b>	19.2VAC					
	<b>MUST RELEASE VOLTAGE</b>	4.8VAC					
	<b>MAX. COIL VOLTAGE</b>	26.4VAC					
	<b>COIL CURRENT PER CHANNEL<sup>(2)</sup></b>	25mA					
	<b>OPERATE (SET) TIME</b>	15 ms max.					
	<b>RELEASE (RESET) TIME</b>	20 ms max.					
	<b>ENDURANCE</b>	Electrical : 100,000 operations min. (at 1,800 operations/hr)					
<b>DIELECTRIC STRENGTH</b>	1. Coil to coil (when isolated) : 100VAC , 50/60 Hz for 1 minute						
	2. Coil to contact : 2KVAC , 50/60 Hz for 1 minute						
	3. Contacts of same polarity : 1KVAC , 50/60 Hz for 1 minute						
	4. Contacts - channel to channel : 1.5KVC, 50/60 Hz for 1 minute						
<b>CONTACT RATING</b>	<b>RELAY</b>	10A@28VDC/230VAC					
	<b>ON BOARD</b>	5A@28VDC/230VAC					
<b>OPERATING AMBIENT</b>	0~55°C, 85% RH						
<b>STORAGE AMBIENT</b>	-20°C to 85°C						
<b>TERMINATIONS</b>	<b>COIL TERMINATION</b>	Screw type, for 2.5mm sq. wire					
	<b>CONTACT TERMINATION</b>	Screw type, for 2.5mm sq. wire					
<b>MOUNTING</b>	35 mm DIN rail						
<b>ORDERING INFORMATION</b>	<b>AS621 - 24VAC - S - OM</b>						
	<b>NO. OF RELAYS</b>	<b>DESIGN NO.</b>	<b>COIL VOLTAGE<sup>(1)</sup></b>	<b>RELAY SOCKET</b>	<b>RELAY MAKE</b>	<b>DIMENSIONS W x H x D (mm)</b>	<b>WEIGHT (MAX)</b>
	1	AS621	24VAC : 24VAC	S : WITH SOCKET : SOLDERED	OM : OMRON G2R : OEN 58DP	24 x 80 x 70	70 grams
	2	AS622				46 x 80 x 70	120 grams
	4	AS623				91 x 80 x 70	200 grams
	6	AS624				113 x 80 x 70	280 grams
	8	AS625				137 x 80 x 70	350 grams

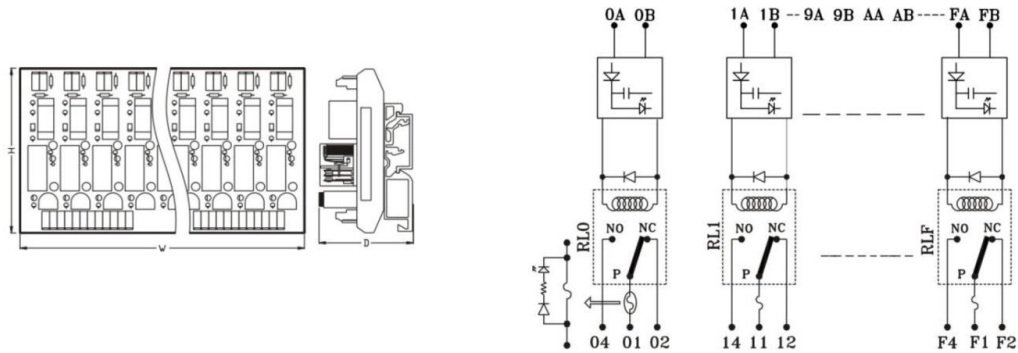
Note : 1. These modules are with basic relay of 24VDC coil along with suitable voltage converter.  
2. Current including LED current.

## 1 C/O Modules With Fuse at Poles, Looped coils



<b>FEATURES</b>	LED & Free wheeling diode across coil Reverse Polarity blocking diode								
<b>CONTACT CONFIGURATION</b>	1C/O								
<b>NO. OF CHANNELS</b>	1, 2, 4, 6, 8, 12, 16								
<b>RELAY</b>	<b>NOMINAL COIL VOLTAGE</b>	5VDC	6VDC	12VDC	24VDC	48VDC			
	<b>MUST OPERATE VOLTAGE</b>	4.7VDC	5.5VDC	10.3VDC	19.9VDC	39.1VDC			
	<b>MUST RELEASE VOLTAGE</b>	1.7VDC	1.9VDC	3.1VDC	5.5VDC	10.3VDC			
	<b>MAX. COIL VOLTAGE</b>	5.5VDC	6.6VDC	13.2 VDC	26.4VDC	52.8VDC			
	<b>COIL CURRENT PER CHANNEL<sup>(1)</sup></b>	110mA	95mA	50mA	25mA	15mA			
	<b>OPERATE (SET) TIME</b>	15 ms max.							
	<b>RELEASE (RESET) TIME</b>	20 ms max.							
	<b>ENDURANCE</b>	Electrical : 100,000 operations min. (at 1,800 operations/hr)							
	<b>MAX. OPERATING FREQUENCY</b>	Mechanical : 18,000 operations/hr Electrical : 1,800 operations/hr							
<b>DIELECTRIC STRENGTH</b>	1. Coil to coil (when isolated) : 100VAC , 50/60 Hz for 1 minute 2. Coil to contact : 2KVAC , 50/60 Hz for 1 minute 3. Contacts of same polarity : 1KVAC , 50/60 Hz for 1 minute 4. Contacts - channel to channel : 1.5KVAC, 50/60 Hz for 1 minute								
<b>CONTACT RATING</b>	<b>RELAY</b>	10A@28VDC/230VAC							
	<b>ON BOARD</b>	5A@28VDC/230VAC							
<b>OPERATING AMBIENT</b>	0-55°C, 85% RH								
<b>STORAGE AMBIENT</b>	-20°C to 85°C								
<b>TERMINATIONS</b>	<b>COIL TERMINATION</b>	Screw type, for 2.5mm sq. wire							
	<b>CONTACT TERMINATION</b>	Screw type, for 2.5mm sq. wire							
<b>MOUNTING</b>	35 mm DIN rail								
<b>ORDERING INFORMATION</b>	<b>AS501 - 24V - N - S - OM - 24VDC-2A</b>								
	<b>NO. OF RELAYS</b>	<b>DESIGN NO.</b>	<b>COIL VOLTAGE</b>	<b>COIL LOOPING</b>	<b>RELAY SOCKET</b>	<b>RELAY MAKE</b>	<b>CONTACT RATING</b>	<b>DIMENSIONS W x H x D (mm)</b>	<b>WEIGHT (MAX)</b>
	1	AS501	12V : 12VDC 24V : 24VDC	N : -Ve P : +Ve	S : WITH SOCKET : SOLDERED	OM : OMRON G2R : OEN 58DP	24VDC : 2A 24VDC : 5A 230VAC : 2A 230VAC : 5A	24 x 115 x 70	80 grams
	2	AS502						46 x 115 x 70	120 grams
	4	AS503						68 x 115 x 70	230 grams
	6	AS504						113 x 115 x 70	320 grams
	8	AS505						137 x 115 x 70	400 grams
	12	AS506						204 x 115 x 70	620 grams
	16	AS507						295 x 115 x 70	830 grams
<p>Note : 1. Current including LED current.</p>									

## 1 C/O Modules With High voltage isolated coils and Fuse at Poles

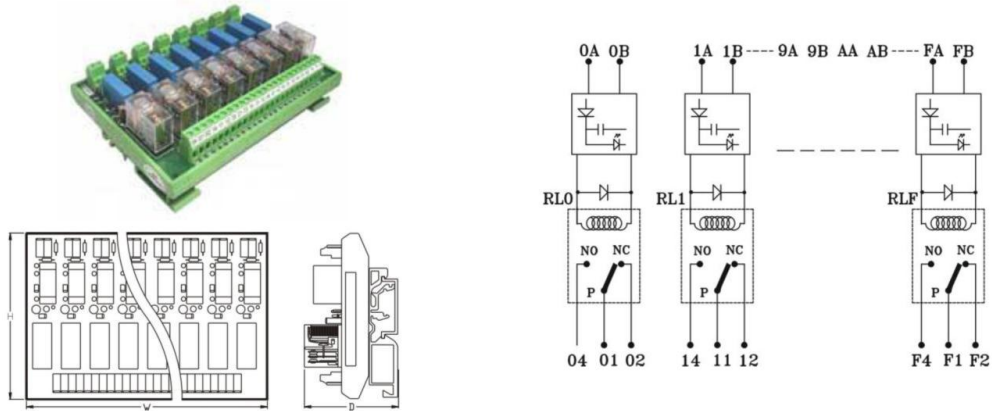


<b>FEATURES</b>	LED across coil Fuse at pole & fuse fail indication					
<b>CONTACT CONFIGURATION</b>	1C/O					
<b>NO. OF CHANNELS</b>	1, 2, 4, 6, 8, 12, 16					
<b>RELAY</b>	<b>NOMINAL COIL VOLTAGE</b>	48VDC	110VDC	110VAC	230VAC	
	<b>MUST OPERATE VOLTAGE</b>	40VDC	90VDC	90VAC	185VAC	
	<b>MUST RELEASE VOLTAGE</b>	10VDC	20VDC	20VAC	45VAC	
	<b>MAX. COIL VOLTAGE</b>	55VDC	130VDC	130VAC	270VAC	
	<b>COIL CURRENT PER CHANNEL <sup>(1)</sup></b>	25mA	25mA	25mA	25mA	
	<b>INRUSH CURRENT</b>	3.2A at 230VAC , 1.5A at 110VAC				
	<b>OPERATE (SET) TIME</b>	15ms max.				
	<b>RELEASE (RESET) TIME</b>	20ms max.				
	<b>ENDURANCE</b>	Electrical: 100,000 operations min. (at 1,800 operations/hr)				
<b>MAX. OPERATING FREQUENCY</b>	Mechanical: 18,000 operations/hr Electrical: 1,800 operations/hr					
<b>DIELECTRIC STRENGTH</b>	1. Coil to coil (when isolated): 1.5KVDC, 50/60 Hz for 1 minute 2. Coil to contact: 2KVAC, 50/60 Hz for 1 minute 3. Contacts of same polarity: 1KVAC, 50/60 Hz for 1 minute 4. Contacts - channel to channel: 1.5KVDC, 50/60 Hz for 1 minute					
<b>CONTACT RATING</b>	<b>RELAY</b>	10A@28VDC/230VAC				
	<b>ON BOARD</b>	5A@28VDC/230VAC				
<b>OPERATING AMBIENT</b>	0~55°C, 85% RH					
<b>STORAGE AMBIENT</b>	-20°C to 85°C					
<b>TERMINATIONS</b>	<b>COIL TERMINATION</b>	Screw type, for 2.5mm sq. wire				
	<b>CONTACT TERMINATION</b>	Screw type, for 2.5mm sq. wire				
<b>MOUNTING</b>	35 mm DIN rail					

<b>ORDERING INFORMATION</b>	<b>AS801 - 110VAC - S<sub>1</sub> - OM<sub>1</sub> - 230VAC - 2A<sub>1</sub></b>							
	NO. OF RELAYS	DESIGN NO.	COIL VOLTAGE	RELAY SOCKET	RELAY MAKE	CONTACT RATING	DIMENSIONS W x H x D (mm)	WEIGHT (MAX)
	1	AS801	DC VOLTAGE 48VDC: 48VDC 110VDC: 110VDC	S : WITH SOCKET : SOLDERED	OM : OMRON G2R : OEN 58DP	24VDC: 2A 24VDC: 5A 230VAC: 2A 230VAC: 5A	20 X 108 X 70	70 grams
	2	AS802					42.5 X 108 X 70	140 grams
	4	AS803	87.5 X 108 X 70				280 grams	
	6	AS804	AC VOLTAGE				Consult us	
	8	AS805	24VAC: 24VAC 110VAC: 110VAC 230VAC: 230VAC C				177.5 X 108 X 70	550 grams
	12	AS806	Consult us					
16	AS807	Consult us						

Note : 1. These modules are with basic relay of 24VDC coil along with suitable voltage converter.  
2. Current including LED current.

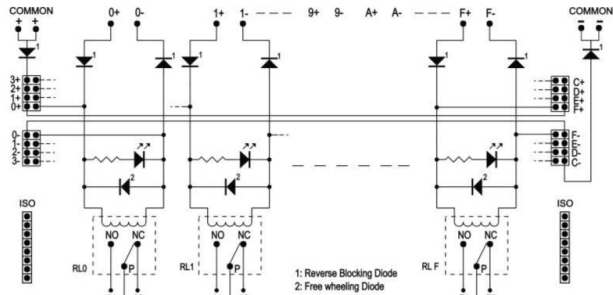
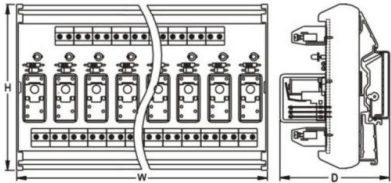
## 1 C/O Modules With High Voltage Isolated Coils



<b>FEATURES</b>	LED & Free wheeling diode across coil					
<b>CONTACT CONFIGURATION</b>	1C/O					
<b>NO. OF CHANNELS</b>	1, 2, 4, 6, 8					
<b>RELAY</b>	<b>NOMINAL COIL VOLTAGE<sup>(1)</sup></b>	48VDC	110VDC	110VAC	230VAC	
	<b>MUST OPERATE VOLTAGE</b>	40VDC	90VDC	90VAC	185VAC	
	<b>MUST RELEASE VOLTAGE</b>	10VDC	20VDC	20VAC	45VAC	
	<b>MAX. COIL VOLTAGE</b>	55VDC	130VDC	130VAC	270VAC	
	<b>COIL CURRENT PER CHANNEL<sup>(2)</sup></b>	25mA	25mA	25mA	25mA	
	<b>INRUSH CURRENT</b>	3.2A at 230VAC , 1.5A at 110VAC				
	<b>OPERATE (SET) TIME</b>	15 ms max.				
	<b>RELEASE (RESET) TIME</b>	20 ms max.				
	<b>ENDURANCE</b>	Electrical : 100,000 operations min. (at 1,800 operations/hr)				
	<b>MAX. OPERATING FREQUENCY</b>	Mechanical : 18,000 operations/hr Electrical : 1,800 operations/hr				
<b>DIELECTRIC STRENGTH</b>	1. Coil to coil (when isolated) : 1.5KVAC , 50/60 Hz for 1 minute 2. Coil to contact : 2KVAC , 50/60 Hz for 1 minute 3. Contacts of same polarity : 1KVAC , 50/60 Hz for 1 minute 4. Contacts - channel to channel : 1.5KVC, 50/60 Hz for 1 minute					
<b>CONTACT RATING</b>	<b>RELAY</b>	10A@28VDC/230VAC				
	<b>ON BOARD</b>	5A@28VDC/230VAC				
<b>OPERATING AMBIENT</b>	0~55°C, 85% RH					
<b>STORAGE AMBIENT</b>	-20°C to 85°C					
<b>TERMINATIONS</b>	<b>COIL TERMINATION</b>	Screw type, for 2.5mm sq. wire				
	<b>CONTACT TERMINATION</b>	Screw type, for 2.5mm sq. wire				
<b>MOUNTING</b>	35 mm DIN rail					
<b>ORDERING INFORMATION</b>	<b>AS421, -230VAC, -S, -OM</b>					
	<b>NO. OF RELAYS</b>	<b>DESIGN NO.</b>	<b>COIL VOLTAGE<sup>(1)</sup></b>	<b>RELAY SOCKET</b>	<b>RELAY MAKE</b>	<b>DIMENSIONS W x H x D (mm)</b>
	1	AS421	DC VOLTAGE 48VDC : 48VDC 110VDC : 110VDC AC VOLTAGE 110VAC : 110VAC 230VAC : 230VAC	S : WITH SOCKET : SOLDERED	OM : OMRON G2R : OEN 58DP	24 x 115 x 70
	2	AS422				46 x 115 x 70
	4	AS423				91 x 115 x 70
	6	AS424				137 x 115 x 70
	8	AS425				159 x 115 x 70
	12	AS426				250 x 115 x 70
16	AS427	315 x 115 x 70				

Note : 1. These modules are with basic relay of 24VDC coil along with suitable voltage converter.  
2. Current including LED current.

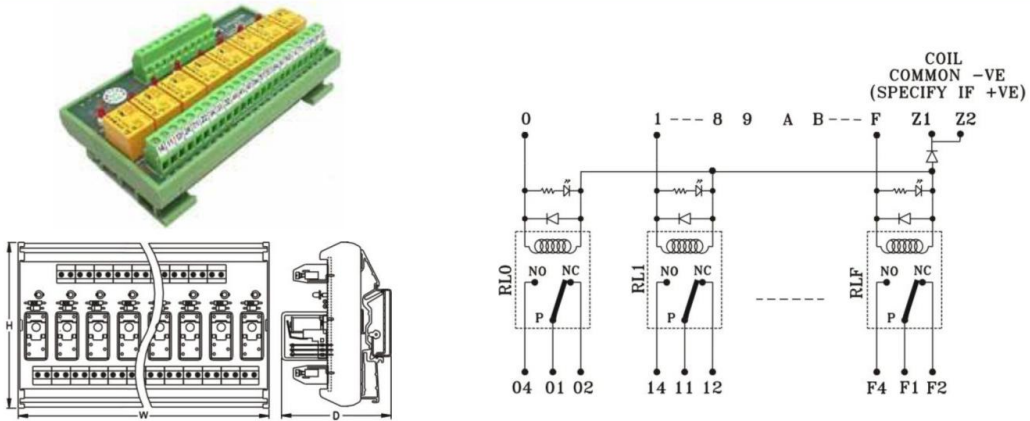
## 1 C/O Modules With Jumpers for Coil Looping & Reverse Blocking Diodes



For Negative looping of coils place jumpers at 0-, 1-, 2-, ..., F-.  
 For Positive looping of coils place jumpers at 0+, 1+, 2+, ..., F+.  
 For isolated coils place jumpers at ISO (default).

<b>FEATURES</b>	LED & Free wheeling diode across coil Jumpers for Coil Looping Reverse Polarity blocking diode					
<b>CONTACT CONFIGURATION</b>	1C/O					
<b>NO. OF CHANNELS</b>	1, 2, 4, 8, 12, 16					
<b>RELAY</b>	<b>NOMINAL COIL VOLTAGE</b>	5VDC	6VDC	12VDC	24VDC	48VDC
	<b>MUST OPERATE VOLTAGE</b>	4.7VDC	5.5VDC	11VDC	20.6VDC	39.8VDC
	<b>MUST RELEASE VOLTAGE</b>	1.7VDC	1.9VDC	3.8VDC	6.2VDC	11 VDC
	<b>MAX. COIL VOLTAGE</b>	5.5VDC	6.6VDC	13.2 VDC	26.4VDC	52.8VDC
	<b>COIL CURRENT PER CHANNEL <sup>(1)</sup></b>	110mA	95mA	50mA	25mA	15mA
	<b>OPERATE (SET) TIME</b>	15 ms max.				
	<b>RELEASE (RESET) TIME</b>	20 ms max.				
	<b>ENDURANCE</b>	Electrical : 100,000 operations min. (at 1,800 operations/hr)				
<b>DIELECTRIC STRENGTH</b>	1. Coil to coil (when isolated) : 100VAC , 50/60 Hz for 1 minute					
	2. Coil to contact : 2KVAC , 50/60 Hz for 1 minute					
	3. Contacts of same polarity : 1KVAC , 50/60 Hz for 1 minute					
	4. Contacts - channel to channel : 1.5KVAC, 50/60 Hz for 1 minute					
<b>CONTACT RATING</b>	<b>RELAY</b>	10A@28VDC/230VAC				
	<b>ON BOARD</b>	5A@28VDC/230VAC				
<b>OPERATING AMBIENT</b>	0-55°C, 85% RH					
<b>STORAGE AMBIENT</b>	-20°C to 85°C					
<b>TERMINATIONS</b>	<b>COIL TERMINATION</b>	Screw type, for 2.5mm sq. wire				
	<b>CONTACT TERMINATION</b>	Screw type, for 2.5mm sq. wire				
<b>MOUNTING</b>	35 mm DIN rail					
<b>ORDERING INFORMATION</b>	<b>AS361,-24V,-S,-OM</b>					
	<b>NO. OF RELAYS</b>	<b>DESIGN NO.</b>	<b>COIL VOLTAGE</b>	<b>RELAY SOCKET</b>	<b>RELAY MAKE</b>	<b>DIMENSIONS W x H x D (mm)</b>
	1	AS361	12V : 12VDC 24V : 24VDC	S : WITH SOCKET : SOLDERED	OM : OMRON G2R : OEN 58DP	24 x 80 x 70
	2	AS362				46 x 80 x 70
	4	AS363				68 x 80 x 70
	8	AS365				137 x 80 x 70
	12	AS366				204 x 80 x 70
16	AS367	295 x 80 x 70				
<b>WEIGHT (MAX)</b>						
70 grams						
130 grams						
200 grams						
350 grams						
530 grams						
750 grams						
<p>Note : 1. Current including LED current.</p>						

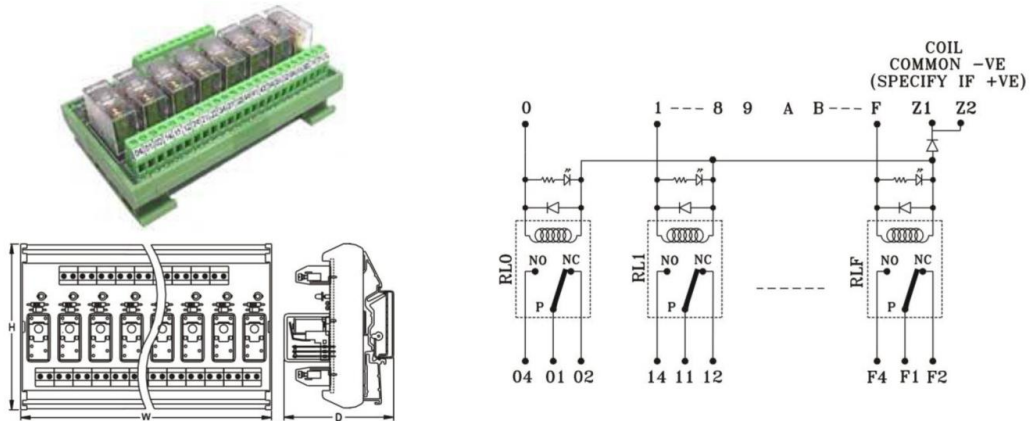
### 1 C/O Modules With Looped Coils (Sugar cube Relay)



<b>FEATURES</b>	LED & Free wheeling diode across coil Reverse Polarity blocking diode							
<b>CONTACT CONFIGURATION</b>	1C/O							
<b>NO. OF CHANNELS</b>	1, 2, 4, 8, 12, 16							
<b>RELAY</b>	<b>NOMINAL COIL VOLTAGE</b>	5VDC	6VDC	12VDC	24VDC	48VDC		
	<b>MUST OPERATE VOLTAGE</b>	4.7VDC	5.5VDC	10.3VDC	19.9VDC	39.1VDC		
	<b>MUST RELEASE VOLTAGE</b>	1.7VDC	1.9VDC	3.1VDC	5.5VDC	10.3VDC		
	<b>MAX. COIL VOLTAGE</b>	5.5VDC	6.6VDC	13.2 VDC	26.4VDC	52.8VDC		
	<b>COIL CURRENT PER CHANNEL<sup>(1)</sup></b>	110mA	95mA	50mA	25mA	15mA		
	<b>OPERATE (SET) TIME</b>	15 ms max.						
	<b>RELEASE (RESET) TIME</b>	20 ms max.						
	<b>ENDURANCE</b>	Electrical : 100,000 operations min. (at 1,800 operations/hr)						
<b>MAX. OPERATING FREQUENCY</b>	Mechanical : 18,000 operations/hr Electrical : 1,800 operations/hr							
<b>DIELECTRIC STRENGTH</b>	1. Coil to coil (when isolated) : 100VAC, 50/60 Hz for 1 minute 2. Coil to contact : 2KVAC, 50/60 Hz for 1 minute 3. Contacts of same polarity : 1KVAC, 50/60 Hz for 1 minute 4. Contacts - channel to channel : 1.5KVC, 50/60 Hz for 1 minute							
<b>CONTACT RATING</b>	<b>RELAY</b>	10A@24VDC/120VAC, 7A@230VAC						
	<b>ON BOARD</b>	5A@24VDC/230VAC						
<b>OPERATING AMBIENT</b>	0~55°C, 85% RH							
<b>STORAGE AMBIENT</b>	-20°C to 85°C							
<b>TERMINATIONS</b>	<b>COIL TERMINATION</b>	Screw type, for 2.5mm sq. wire						
	<b>CONTACT TERMINATION</b>	Screw type, for 2.5mm sq. wire						
<b>MOUNTING</b>	35 mm DIN rail							
<b>ORDERING INFORMATION</b>	<b>AS401 - 24V - N - SH</b>							
	<b>NO. OF RELAYS</b>	<b>DESIGN NO.</b>	<b>COIL VOLTAGE</b>	<b>COIL LOOPING</b>	<b>RELAY MAKE</b>	<b>DIMENSIONS W x H x D (mm)</b>	<b>WEIGHT (MAX)</b>	
	1	AS401	12V : 12VDC 24V : 24VDC	N : -Ve LOOPING P : +Ve LOOPING	SH : SUNHOLD OEN : OEN 61DP	24 x 80 x 70	60 grams	
	2	AS402				46 x 80 x 70	90 grams	
	4	AS403				68 x 80 x 70	150 grams	
	8	AS405				137 x 80 x 70	270 grams	
	12	AS406				204 x 80 x 70	410 grams	
	16	AS407				295 x 80 x 70	560 grams	

Note : 1. Current including LED current.

## 1 C/O Modules With Looped Coils



FEATURES	LED & Free wheeling diode across coil Reverse Polarity blocking diode							
CONTACT CONFIGURATION	1C/O							
NO. OF CHANNELS	1, 2, 4, 8, 12, 16							
RELAY	NOMINAL COIL VOLTAGE	5VDC	6VDC	12VDC	24VDC	48VDC		
	MUST OPERATE VOLTAGE	4.7VDC	5.5VDC	10.3VDC	19.9VDC	39.1VDC		
	MUST RELEASE VOLTAGE	1.7VDC	1.9VDC	3.1VDC	5.5VDC	10.3VDC		
	MAX. COIL VOLTAGE	5.5VDC	6.6VDC	13.2 VDC	26.4VDC	52.8VDC		
	COIL CURRENT PER CHANNEL <sup>(1)</sup>	110mA	95mA	50mA	25mA	15mA		
	OPERATE (SET) TIME	15 ms max.						
	RELEASE (RESET) TIME	20 ms max.						
	ENDURANCE	Electrical : 100,000 operations min. (at 1,800 operations/hr)						
	MAX. OPERATING FREQUENCY	Mechanical : 18,000 operations/hr Electrical : 1,800 operations/hr						
DIELECTRIC STRENGTH	1. Coil to coil (when isolated) : 100VAC, 50/60 Hz for 1 minute 2. Coil to contact : 2KVAC, 50/60 Hz for 1 minute 3. Contacts of same polarity : 1KVAC, 50/60 Hz for 1 minute 4. Contacts - channel to channel : 1.5KVAC, 50/60 Hz for 1 minute							
CONTACT RATING	RELAY	10A@28VDC/230VAC						
	ON BOARD	5A@28VDC/230VAC						
OPERATING AMBIENT	0-55°C, 85% RH							
STORAGE AMBIENT	-20°C to 85°C							
TERMINATIONS	COIL TERMINATION	Screw type, for 2.5mm sq. wire						
	CONTACT TERMINATION	Screw type, for 2.5mm sq. wire						
MOUNTING	35 mm DIN rail							
ORDERING INFORMATION	<b>AS351-24V-N-S-OM</b>							
	NO. OF RELAYS	DESIGN NO.	COIL VOLTAGE	COIL LOOPING	RELAY SOCKET	RELAY MAKE	DIMENSIONS W x H x D (mm)	WEIGHT (MAX)
	1	AS351	12V : 12VDC 24V : 24VDC	N : -Ve LOOPING P : +Ve LOOPING	S : WITH SOCKET : SOLDERED	OM : OMRON G2R : OEN 58DP	24 x 80 x 70	65 grams
	2	AS352					46 x 80 x 70	100 grams
	4	AS353					68 x 80 x 70	190 grams
	8	AS355					137 x 80 x 70	330 grams
	12	AS356					204 x 80 x 70	500 grams
	16	AS357					295 x 80 x 70	700 grams
Note : 1. Current including LED current.								