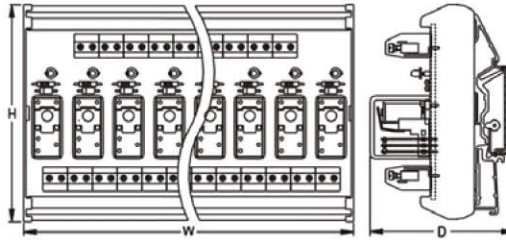
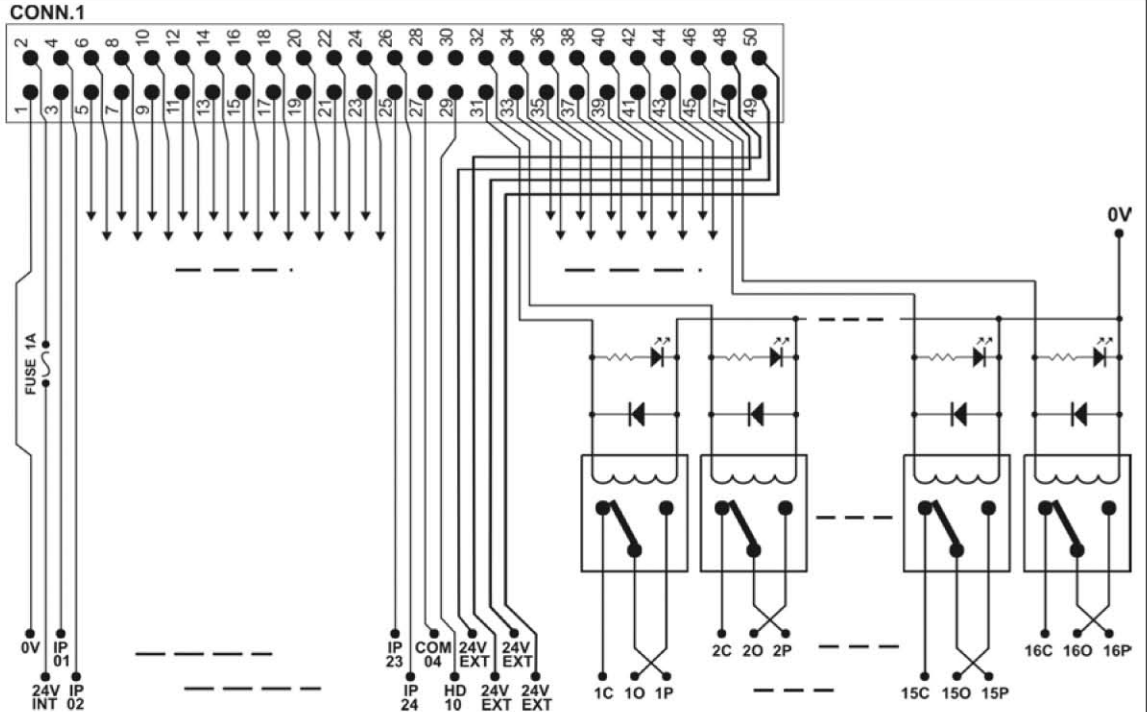


# CNC SPECIFIC RELAY MODULE



Dimensions

**PIN ASSIGNMENT <sup>(1)</sup>  
SCHEMATIC**



<b>FEATURES</b>	LED & Free wheeling diode across coil.			
<b>INPUT</b>	24 Inputs, 24VDC each			
<b>OUTPUT</b>	16 channels, 1C/O Relays			
<b>RELAY</b>	<b>NOMINAL COIL VOLTAGE</b>	24VDC	<b>MAX. COIL VOLTAGE</b>	26.4VDC
	<b>MUST OPERATE VOLTAGE</b>	19.2VDC	<b>MUST RELEASE VOLTAGE</b>	4.8VDC
	<b>OPERATE (SET) TIME</b>	15ms max.	<b>RELEASE (RESET) TIME</b>	20ms max.
	<b>ENDURANCE</b>	Mechanical : 20,000,000 operations min. Electrical : 100,000 operations min. (at 1,800 operations/hr)	<b>MAX. OPERATING FREQUENCY</b>	Mechanical : 18,000 operations/hr Electrical : 1,800 operations/hr
	<b>COIL CURRENT PER CHANNEL <sup>(2)</sup></b>	25mA		
<b>DIELECTRIC STRENGTH</b>	1. Coil to contact : 1.5KVAC , 50/60 Hz for 1 minute 2. Contacts of same polarity : 1KVAC , 50/60 Hz for 1 minute 3. Contacts - channel to channel : 1.5KVC, 50/60 Hz for 1 minute			
<b>CONTACT RATING</b>	<b>RELAY</b>	10A@28VDC/230VAC		
	<b>ON BOARD</b>	5A@28VDC/230VAC		
<b>OPERATING AMBIENT</b>	0~55°C, 85% RH			
<b>STORAGE AMBIENT</b>	-20°C to 85°C			
<b>TERMINATIONS</b>	<b>COIL TERMINATION</b>	50Pin Male FRC Connector	<b>CONTACT TERMINATION</b>	Screw type, for 2.5mm sq. wire
	<b>MOUNTING</b>	35 mm DIN rail		

### AS717 - S - OM

<b>ORDERING INFORMATION</b>	<b>DESIGN NO.</b>	<b>RELAY SOCKET</b>	<b>RELAY MAKE</b>	<b>DIMENSIONS W x H x D (mm)</b>	<b>WEIGHT (MAX)</b>
	AS717	S : WITH SOCKET : SOLDERED	OM : OMRON G2R : OEN 58DP	315 x 80 x 70	500 grams

Note : 1. The 24VDC for digital outputs must be connected to all 4 pins 47,48,49,50.  
 2. Current including LED current.