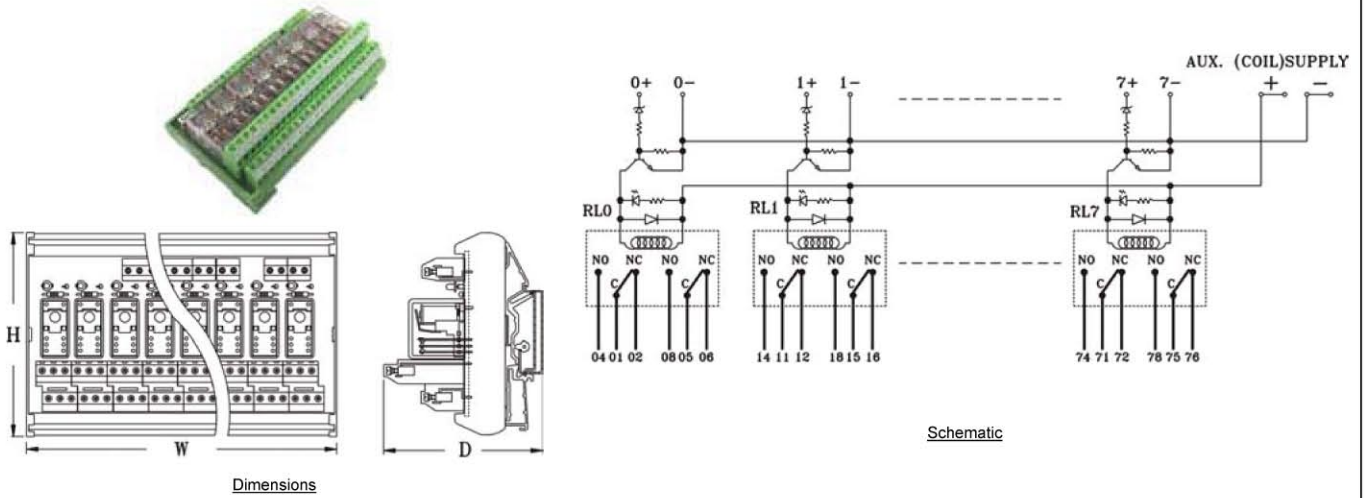


2C/O Relay Module With TTL / Low current input



FEATURES	<ul style="list-style-type: none"> • LED & Free wheeling diode across coil • Low current control input 						
CONTACT CONFIGURATION	2C/O						
NO. OF CHANNELS	8						
INPUT TYPE	PNP / SOURCING ⁽²⁾						
INPUT	NOMINAL INPUT (TTL) VOLTAGE	5VDC			24VDC		
	MUST OPERATE VOLTAGE	1.9VDC			9VDC		
	MUST RELEASE VOLTAGE	1VDC			5VDC		
	MAX. COIL VOLTAGE	10VDC			30VDC		
	CURRENT PER CHANNEL	1mA			5mA		
RELAY	OPERATE (SET) TIME	15ms max.					
	RELEASE (RESET) TIME	20ms max.					
	ENDURANCE	Mechanical : 20,000,000 operations min. (at 1,800 operations/hr) Electrical : 100,000 operations min. (at 1,800 operations/hr under rated load)					
	MAX. OPERATING FREQUENCY	Mechanical : 18,000 operations/hr Electrical : 1,800 operations/hr					
AUX. (COIL) VOLTAGE	12VDC / 24VDC +/-10% (50mA / 25mA per channel) ^{(1) (2)}						
DIELECTRIC STRENGTH	1. TTL input to contacts : 1.5KVAC , 50/60 Hz for 1 minute 2. Coil to contact : 1.5KVAC , 50/60 Hz for 1 minute 3. Contacts of different polarity : 1KVAC , 50/60 Hz for 1 minute 4. Contacts of same polarity : 1KVAC , 50/60 Hz for 1 minute 5. Contacts - channel to channel : 1.5KVAC , 50/60 Hz for 1 minute						
CONTACT RATING	RELAY	5A@28VDC/230VAC					
	ON BOARD	5A@28VDC/230VAC					
OPERATING AMBIENT	0~55°C, 85% RH						
STORAGE AMBIENT	-20°C to 85°C						
TERMINATIONS	COIL SIDE	Screw type, for 1.5mm sq. wire					
	CONTACT SIDE	Screw type, for 2.5mm sq. wire					
MOUNTING	35 mm DIN rail						
ORDERING INFORMATION	AS339, -5V, -24V, -OM						
	NO. OF RELAYS	DESIGN NO.	TTL INPUT	RELAY COIL VOLTAGE	RELAY MAKE	DIMENSIONS W x H x D (mm)	WEIGHT (MAX)
	8	AS339	5V : 5VDC 24V : 24VDC	12V : 12VDC 24V : 24VDC	OM : OMRON G2R : OEN 58DP	137 x 80 x 70	380 grams

Note : 1. Current including LED current.

2. ⚠ CAUTION : Input common (0V) & Aux. -Ve (0V) are shorted internally.