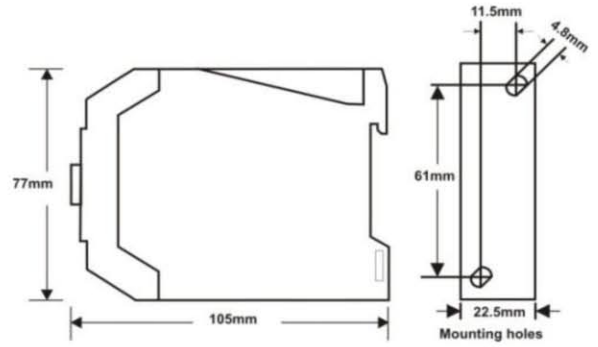


ANALOG TIMER : TASD-60S



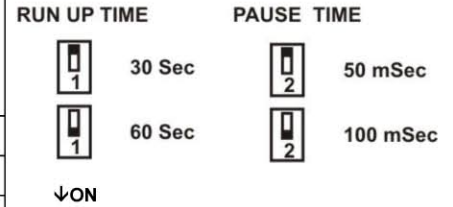
Star - Delta



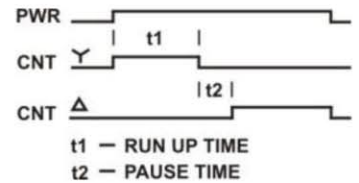
Dimensions

All Dimensions in mm

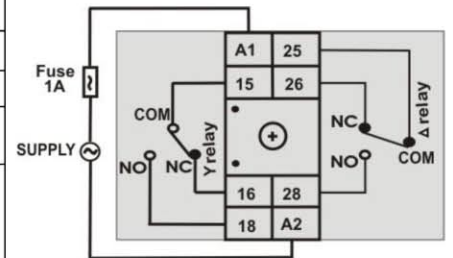
FEATURES	<ul style="list-style-type: none"> Star Delta Low Cost High Reliability Compact DIN Rail / Base Mounting 	TIME RANGES Star Run up time range : 0 - 30 Sec 0 - 60 Sec Pause time: 50 ms or 100 ms (switch selectable) (Refer NOTE below)	
	OPERATING MODES	Star Delta	
INDICATIONS	LED Status Indicator : Star Relay ON, Delta Relay ON		
SUPPLY VOLTAGE	SUPPLY VOLTAGE	110V / 230V / 415V AC ±15% , 47 – 63Hz (Refer ordering information below)	
	POWER CONSUMPTION	10VA Max	
	INRUSH CURRENT	Maximum 3.2A , 20ms	
ISOLATION	Supply Terminals – Contacts : 1.5KV, 1min. Contact Set1 – Contact Set2 : 1.5KV, 1min.		
OUTPUT SPECIFICATION	OUTPUT CONTACT	SPDT (1 C/O each for Star and Delta)	
	CONTACT RATING	5A@230V AC	
ACCURACY	Setting : ±5% of Full Scale, Repeat : ±0.5% or 50msec of Full Scale.		
RESET	On interruption of power, Reset time < 100msec		
ENDURANCE	POTENTIOMETER	MECHANICAL : 1000 Cycles	
	RELAY	MECHANICAL : 10,000,000 ops. Minimum (1800 ops./hr.) ELECTRICAL : 100,000 ops. Minimum (1200 ops./hr.)	
AMBIENT CONDITIONS	OPERATING AMBIENT	0~55°C, 85% RH	
	STORAGE AMBIENT	-20°C to 85°C	
	HUMIDITY	95% RH non condensing	
GENERAL SPECIFICATIONS	TERMINATIONS	Screw type, for 2.5mm sq. wire	
	MOUNTING	DIN rail / Base Mount	
	WEIGHT	110 gms	
	PROTECTION LEVEL	IP40 for housing, IP20 for terminals, Finger Safe Terminals	
ORDERING INFORMATION	TASD – 60S – 230AC		
	DESIGN NO.	SUPPLY VOLTAGE	
	TASD-60S	110AC : 110V AC 230AC : 230V AC 415AC : 415V AC	



Switch Settings



Timing Diagram



Terminal Connections

NOTE : If the time setting is altered , it will be effective from next cycle.