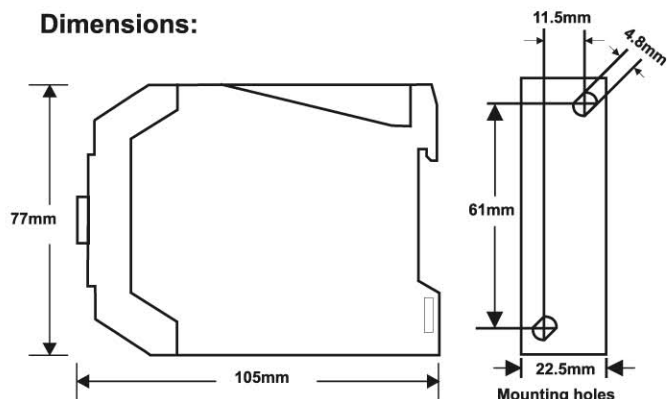


ANALOG TIMERS



Dimensions:



General Specifications:

- Indications:** LED Status Indicator : Power ON, Relay ON
- Mounting:** Din Rail / Back Panel Mount ,
- Accuracy:** Setting: $\pm 5\%$ of Full Scale , Repeat: $\pm 0.5\%$ or 50msec
- Reset:** On interruption of power , Reset time < 100 msec
- Temperature:** Operating: 0 to 50° C (32 to 122° F)
Storage: -20 to 75° C (-4 to 167° F)
- Humidity:** 95% RH non condensing
- Weight:** Approx 130 gms
- Protection level:** IP40 for housing
IP20 for terminals
Finger Safe Terminals

Model	TAON-30S, TAON-60S	TASD-60S	TATP	TADU-60M	TADU-60M-U	TADU-30H-U	TACY-10H-U	TAPL-30H-U	TAFR-8M-U
Features	Lowest cost, Single Range Single Function	Star Delta	True Power OFF Delay	DIP Switch on Front On Delay / Interval 8 Time Ranges Dual Supply Voltage	On Delay / Interval 8 Time Ranges	On Delay / Interval 12 Time Ranges	Cyclic with unequal ON & OFF Time 6 Time Ranges	Variable pulse & cycle Time upto 30 Hrs 6 Time Ranges	Forward - Pause - Reverse Run Time : 1 Sec - 8 Min Pause Time : 1 Sec - 80 Min
Operating Modes	ON Delay	Star Delta	True Power OFF delay	ON Delay / Interval	ON Delay / Interval	ON Delay / Interval	Cyclic ON first or OFF first	Pulse ON first or OFF first	Forward - Pause - Reverse
Time Ranges	30S: 30 Sec , 60S: 60 Sec (Factory set)	Run up time range: 0-30 Sec, 0-60 Sec change over: 50 msec or 100 msec	0 - 60 Sec, 0 - 180 Sec (Factory set)	0 - 3 Sec / Min 0 - 10 Sec / Min 0 - 30 Sec / Min 0 - 60 Sec / Min	0 - 3 Sec / Min 0 - 10 Sec / Min 0 - 30 Sec / Min 0 - 60 Sec / Min	0 - 1 Sec / Min / Hr 0 - 3 Sec / Min / Hr 0 - 10 Sec / Min / Hr 0 - 30 Sec / Min / Hr	0 - 1 Sec / Min / Hr (ON Time) 0 - 10 Sec / Min / Hr (ON Time) 0 - 1 Sec / Min / Hr (OFF Time) 0 - 10 Sec / Min / Hr (OFF Time)	0 - 3 Sec / Min / Hr (Pulse Time) 0 - 30 Sec / Min / Hr (Pulse Time) 0 - 3 Sec / Min / Hr (Time Period) 0 - 30 Sec / Min / Hr (Time Period)	1/2/4/8 Sec / Min (RUN time) 1/2/4/8/10/20/40/80 Sec / Min (Pause Time)
Output Contact	SPDT (1 C/O)		DPDT (2 C/O)	SPDT (1 C/O)	DPDT (2 C/O)				1 C/O each for forward & reverse
Contact Rating	5A@230V AC / 24V DC, Resistive	5A@230V AC	2.5A@230V AC	5A@230V AC / 24V DC, Resistive					
Supply Voltage	110V AC, 230V AC, 415V AC (50 / 60Hz)		110 to 240V AC/DC (50 / 60Hz)	230VAC or 24VAC/DC 110VAC or 24VAC/DC	20 to 240V AC (50 / 60Hz) or 12 to 240V DC				
Power consumption	6VA Max.	10VA Max.	2.5VA Max.	6VA Max.	2VA Max.				
Ordering Information & MRP (Rupees Each)	TAON-30S-110AC TAON-60S-110AC TAON-30S-230AC TAON-60S-230AC TAON-30S-415AC TAON-60S-415AC	TASD-60S-110AC TASD-60S-230AC TASD-60S-415AC	TATP-60S-Z TATP-180S-Z	TADU-60M-W TADU-60M-X	TADU-60M-U	TADU-30H-U	TACY-10H-U	TAPL-30H-U	TAFR-8M-U
Prefix:	U : 20 to 240VAC or 12 to 240VDC		W : 230VAC or 24V AC/DC		X : 110VAC or 24V AC/DC		Z : 110 to 240 V AC/DC		